



ENGINEERING



Eccentric
Specialized Team of SK Engineering



ENGINEERING

*Sultana & Khan
Engineering
Limited.*

Design & Prototyping

On Demand Spare Parts

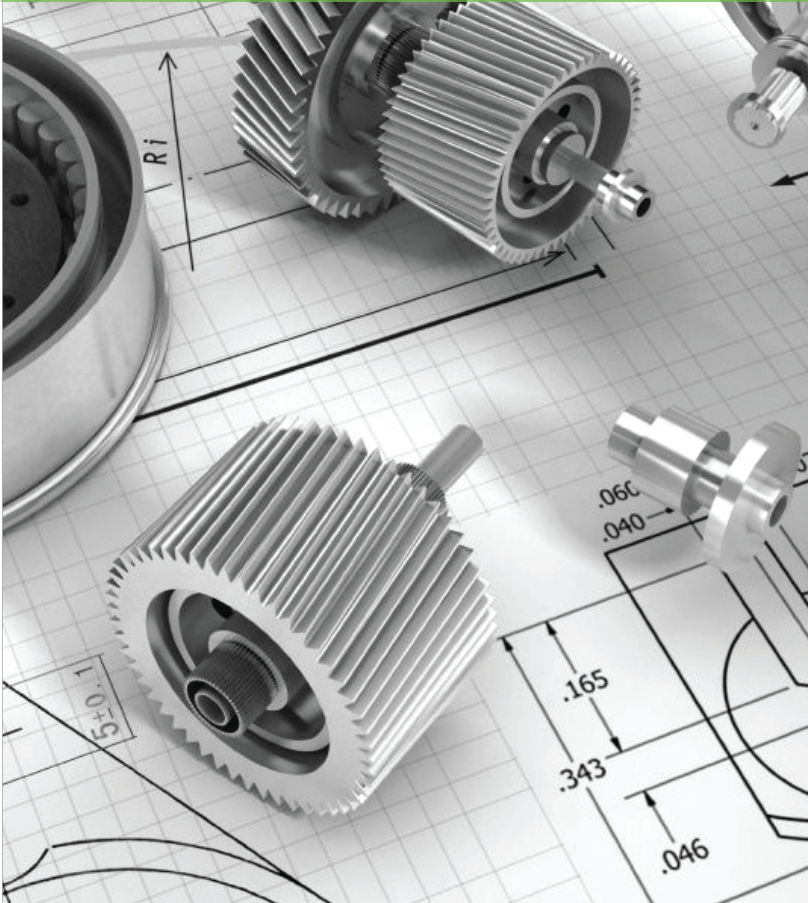
Top Notch Consultancy

Land Trading & Construction



About Us:

We are a team of young & skilled engineers having expertise in different engineering fields related to industrial manufacturing processes. We are here to give you a perfect end to end solution to ease & modernize your development & production process while not compromising the quality.



Our Vision:

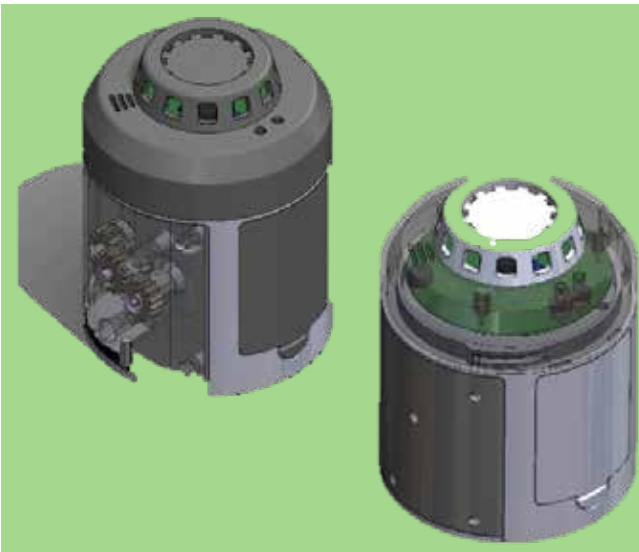
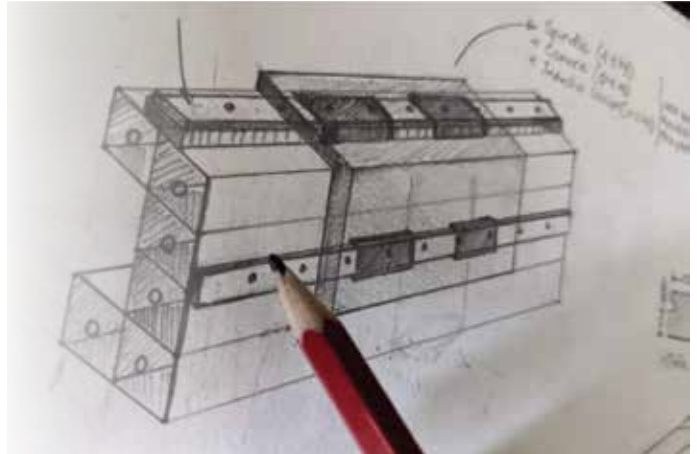
Our Vision is to provide high end service, consultancy & top quality on demand spare parts to our valuable customers in order to reduce dependency of our manufacturing & fabrication industry on other countries. Our goal is to make Bangladesh capable of fabricating all sort of high quality products by modernizing the manufacturing processes in op

📍 10/2,(4th floor), Gawsia Kashem Center Society, Arambagh, Motijheel, Dhaka-1000, Bangladesh
☎ +88 01896-006960, +88 01896-006956 ✉ skgroup2052@gmail.com 🌐 www.skgroup2052.com

Design Services

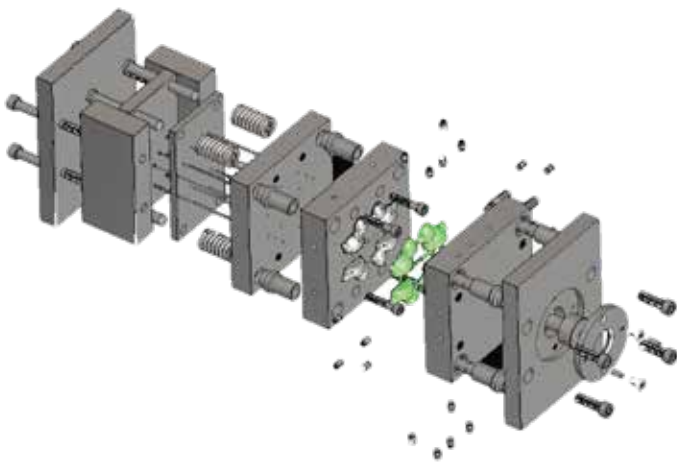
Concept Design is the first step to visualize your idea and relate its feasibility. We are here to shape your idea with the following services:

- ✓ Dedicated team to meet deadline
- ✓ Ensuring best quality
- ✓ Highly competitive price



We have experienced & professional team members to provide you with best quality **CAD Services**. We offer:

- ✓ 2D & 3D CAD Design
- ✓ Realistic Rendering
- ✓ High Quality product Animation



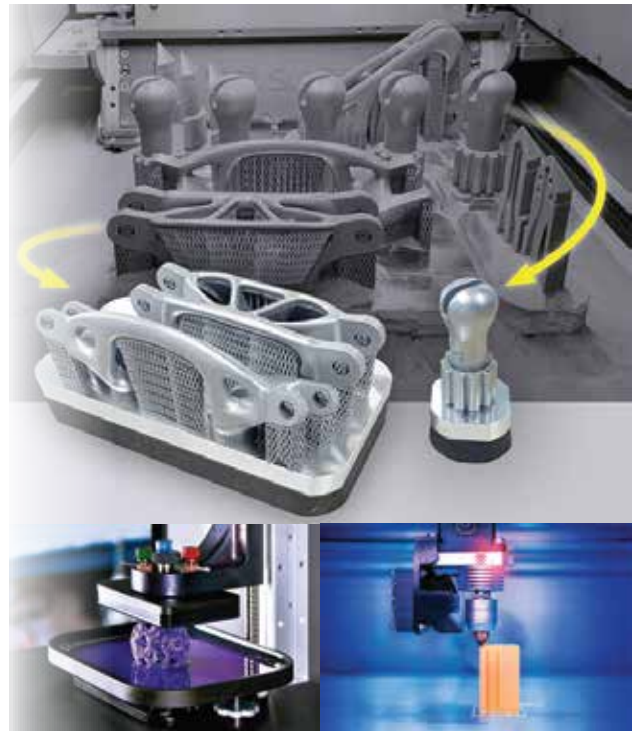
We offer best quality **Design for Manufacturing** support for your concept product and manufacturing plant or projects with following services:

- ✓ Detailed Manufacturing Drawing
- ✓ Parametric & Scaleable Design
- ✓ BOM & BOQ of the Design

Prototyping & Manufacturing Services

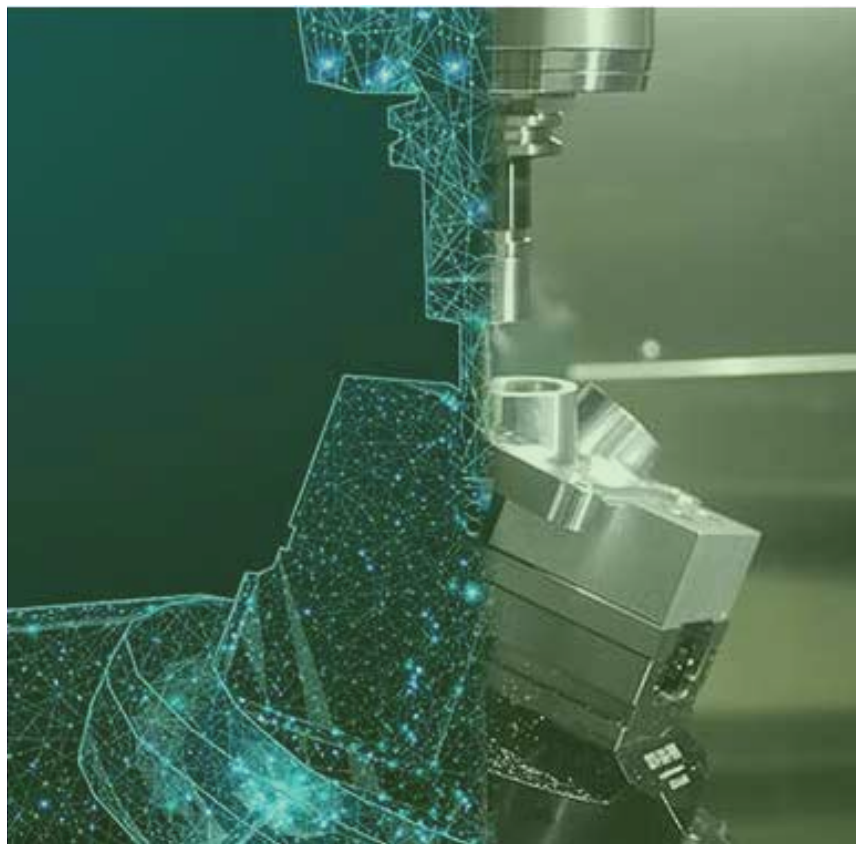
We offer best quality 3D printing services for **Rapid Prototyping** and small **Batch Production**. Our 3D printing services include:

- ✓ High Quality FDM Printing
- ✓ High Resolution SLA Printing
- ✓ Affordable price
- ✓ Short Lead Time
- ✓ Wide range of Materials



We are equipped with high quality Digital Machines to serve all kind of **Digital Manufacturing** processes at affordable price. We offer following services:

- ✓ CNC Machining, Wire Cutting, EDM, Surface Grinding etc.
- ✓ Hardness Testing
- ✓ Composition Testing
- ✓ Precision Machining



📍 10/2,(4th floor), Gawsia Kashem Center Society, Arambagh, Motijheel, Dhaka-1000, Bangladesh
☎ +88 01896-006960, +88 01896-006956 ✉ skgroup2052@gmail.com 🌐 www.skgroup2052.com

Spares Parts & Maintenance

Spare Parts are most demandable and yet most of the time rarely found in local market. We offer best quality spare parts covering almost all industrial requirements. Our service includes:

- ✓ On Demand Spare Parts
- ✓ Ensuring best quality
- ✓ Customized machine parts



Maintenance services are often required in most of the industries. We offer the following services to serve the purpose of our clients:

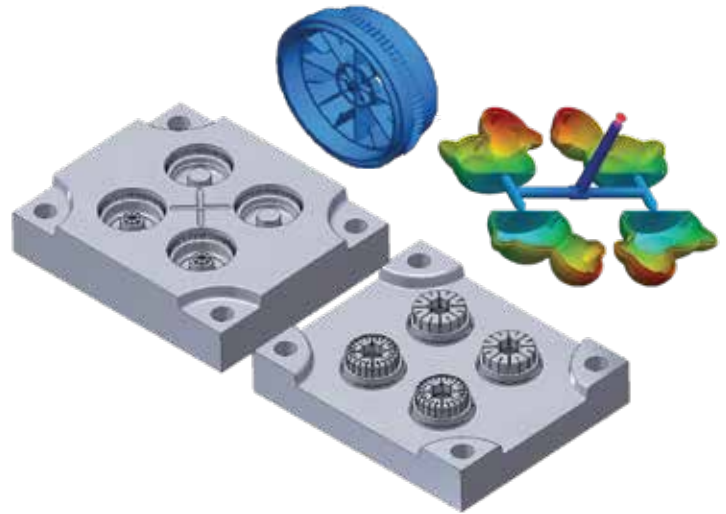
- ✓ Machine Commissioning
- ✓ PLC Troubleshooting
- ✓ Industrial Training (CAD/CAM, PLC etc.)



Mold & Die Design & Fabrication

Appearance & Quality of a product relies on the quality of **Molds**. We offer the market leading mold design & fabrication service to ensure the quality of both mold & end product. Our service includes:

- ✓ Proper engineering analysis on the product design & its moldability
- ✓ Precision manufacturing of delicate parts of the mold
- ✓ Wide range of surface finishing



Mass production of metal parts special sheet metal parts often require a set of **Dies**. We offer the design & fabrication service of different type of dies to our clients. Our service includes:

- ✓ Material analysis for both raw material and Die parts
- ✓ Compound, Combination & Progressive Die Design and Fabrication
- ✓ Proper engineering analysis to determine life-time of the Die

Consumable Products

**High Quality
Carbide Machining Tools**



**Consumable
Hand & Power Tools**

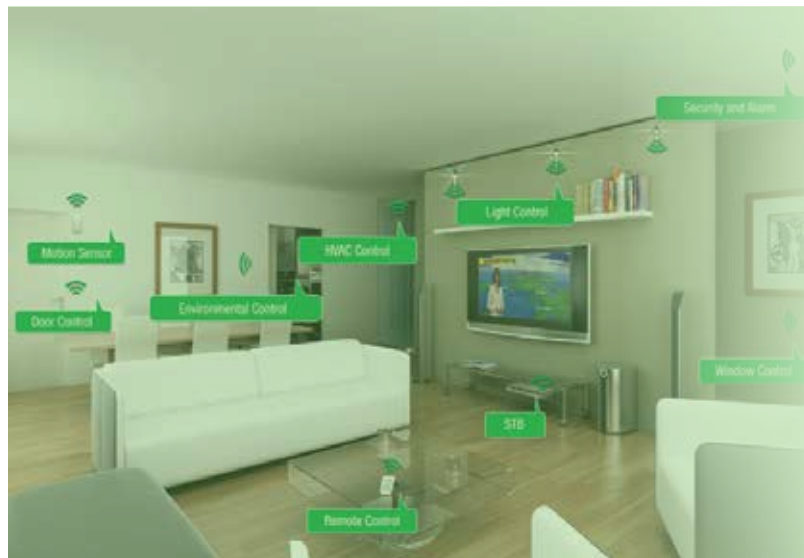


📍 10/2,(4th floor), Gawsia Kashem Center Society, Arambagh, Motijheel, Dhaka-1000, Bangladesh
☎ +88 01896-006960, +88 01896-006956 ✉ skgroup2052@gmail.com 🌐 www.skgroup2052.com

Industrial Automation

Industrial Automation is the key to the Fourth Industrial Revolution. We offer end-to-end automation solution for your industry. Our service includes:

- ✓ Machine or Process Automation
- ✓ Real time data monitoring
- ✓ Smart inventory management



Home Automation is getting popular day by day. We are here to make your home into a smart one. Our service include:

- ✓ Integrating multiple devices
- ✓ User friendly UI
- ✓ Safety & Security

Post Manufacturing Support

We Provide best quality **Heat Treatment** service in the country.

- ✓ Best Quality Vacuum Furnace
- ✓ Temperature upto 1400°C
- ✓ Size: 600x600x600 mm

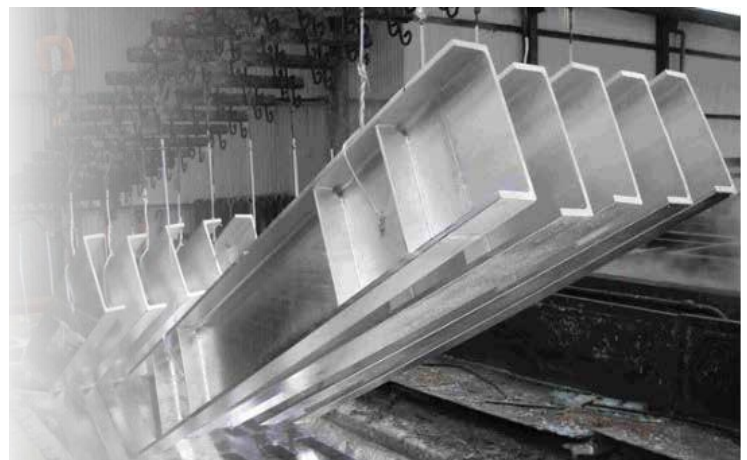


We offer best quality **Sand Blasting** services for:

- ✓ Surface Cleaning
- ✓ Surface Roughing
- ✓ Texturing

We offer Top Quality **Galvanizing, Nickel & Chrome Plating** for Steel Structural Components, Fasteners and all spares parts by ensuring the quality.

- ✓ Hot Dip Galvanizing
- ✓ Uniform Thickness





Board of Directors



Sharmin Sultana
Chairman



Eng. Md. Nazmul Basar Khan
Managing Director



Eng. Md. Obydur Rahman
Assistant General Manager



Md. Shahriar Khan
Director, Marketing & Strategies
Bsc in Mechanical Engineering, AUST



Mishuzur Rahman Parvez
Director Operation
Bsc in Mechanical Engineering, BUET

Team Members



Eng. Mamun Al Hasan
Project Co-Ordinator
Bsc in Mechanical Engineering, BUET



Eng. Md. Abdul Basir
Supply Chain Manager
Bsc in Textile Engineering, AUST



Eng. Sajid Bin Kamal
Product Development Manager
Bsc in EEE, KUET



Eng. Mahfuz Ahmed
Quality Control Manager
Bsc in Textile Engineering



Eng. Md. Zulkar Anan
Assistant Engineer
Bsc in Civil Engineering, AUST

Advisor



Eng. Navid Imtiaz Rifat
Bsc in Mechanical Engineering, BUET
Graduate Research Assistant at the University of Texas at Arlington



Eng. S M Khalid Hasan
Bsc in Mechanical Engineering, CUET
University: Technische Universität Bergakademie Freiberg, Germany

Our Valuable Clients



আর এফ এল



Global Electrode Limited



বাংলাদেশ প্লেস্টিসিয়ার্স অসোসিয়েশন



Energypac
Engineering



ANJANI POLYMER LTD



Idea 3d Solutions
PRINT YOUR DREAM



AZAD INDUSTRIES
All Kinds of Plastic Auto World Manufacturers Importer & Plastic goods Supplier



TECHNO VENTURE LTD



Lava Electrodes
Industries Ltd

Sultana & Khan Group



Sultana & Khan Steel Limited



Sultana & Khan Engineering Limited.

ENGINEERING



Sultana & Khan Trading Limited.

TRADING



Sultana & Khan Textile Limited.

TEXTILE



Cosmo Plastic Limited.



Sotej Agro

Website



E-Catalog



Corporate Office:

📍 10/2,(4th floor), Gawsia Kashem Center Society, Arambagh, Motijheel, Dhaka-1000, Bangladesh
☎ +88 01896-006960, +88 01896-006956 ✉ skgroup2052@gmail.com 🌐 www.skgroup2052.com

Work Shop:

Bscic Keraniganj, Dhaka